

RADA



SIMPLICITY IN VIDEO CAPTURE

**ePTZ
VERSACAM**

KEY FEATURES:

**Auto
Framing
& Zoom**

Include
Every Participant

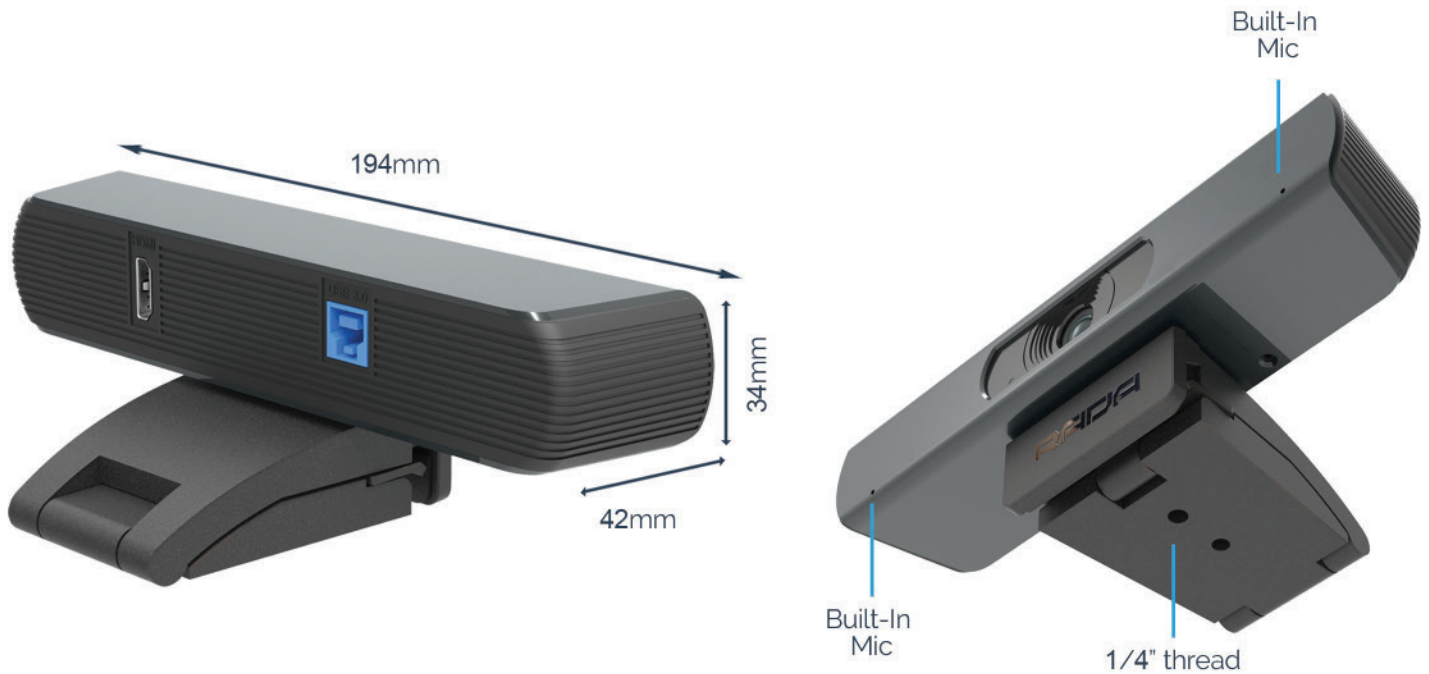
**Dual
Output**

HDMI Video &
USB Audio+Video

**Built-In
Mic**

Omnidirectional Mic
with Noise Suppression

PRODUCT ARCHITECTURE



Superior Image Quality

4K UltraHD, 1080p Full HD.

Auto Framing & Auto Zoom

Frames image to include every participant.

Dual Output

HDMI Video and USB with Audio and Video.

Built-In Microphone

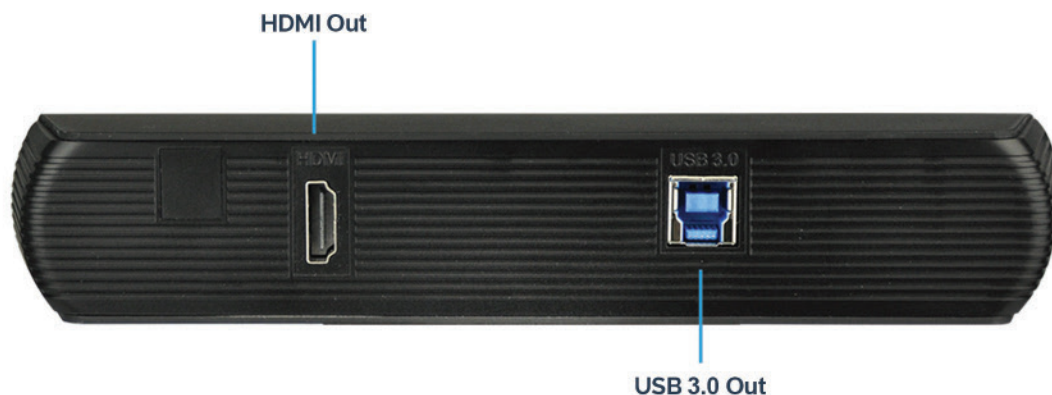
Up to 12 meters omnidirectional mic with noise suppression.

Versatile Mount with Thread

1/4" standard thread and foldable bracket makes it easy to mount VersaCam on a bracket, table, shelf, display, and other surfaces.

- ePTZ
- Auto Focus
- Wide Angle 120° Degrees Lens
- WDR
- 1/2.5" CMOS Sensor
- 2D/3D Noise Reduction Algorithm
- Image Signal to Noise Ratio up to 55dB or More

CONNECTION DIAGRAM



TECHNICAL SPECIFICATIONS

| | |
|----------------------------------|---|
| Model Name | A-VC01 |
| Camera | |
| Video System (HDMI) | 4K@30fps, 1080P@30fps, 1080I@60/50fps |
| Sensor | 1/2.5", CMOS, Effective Pixel: 8.51M |
| Zoom | 8x Digital Zoom |
| Scanning Mode | Progressive |
| Lens | Focus: f=2.8mm, FOV: 120° |
| Auto Focus | Supported |
| Minimal Illumination | 0.05 Lux, (F1.8, AGC ON) |
| Shutter | 1/30s ~ 1/10000s |
| White Balance | Auto, Indoor, Outdoor, One Push, Manual |
| Camera Bracket | Bracket with damper |
| Digital Noise Reduction | 2D/3D digital noise reduction |
| Backlight Compensation | Supported |
| Presets | 10 positions (via IR remote), 255 positions (via UVC commands) |
| USB Features | |
| Operating System | Windows® 7 (1080P and under only), Windows 8.1, Windows 10 or higher MacOS™ 10.10 or higher Linux |
| System Requirements | 2.4 GHz Intel® Core 2 Duo processor or higher 2 GB RAM or more USB 2.0 port (USB 3.0 required for 4K) |
| Color System / Compression | H.264 / MJPEG / YUY2 / VAR |
| Resolution | 4K@30fps, 1080P@30fps, 1080I@60/50fps |
| USB Video Communication Protocol | UVC v1.0/v1.1/v1.5 |
| UVC PTZ | ePTZ |
| Input/Output Interface | |
| USB Interface | 1x USB 3.0: Type B, female |
| HDMI Interface | 1x HDMI: Version 1.4 |
| General Specification | |
| Input Voltage | 5V (USB power supply) |
| Current Consumption | 1A |
| Operating Temperature | -10°C ~ 40°C (14°F ~ 104°F) |
| Storage Temperature | -40°C ~ 60°C (-40°F ~ 140°F) |
| Power Consumption | 5W |
| Size | 194mm x 42mm x 34mm (without bracket) |
| Net Weight | 0.5 Kg |
| Accessories | Remote controller / USB Cable / User Manual |