

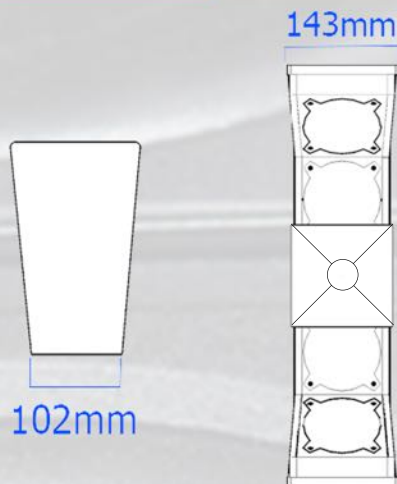
Apt-CMA44 Specification Sheet.

Image



Dimensions

Dimensions (HWD): 526, 144, 240mm



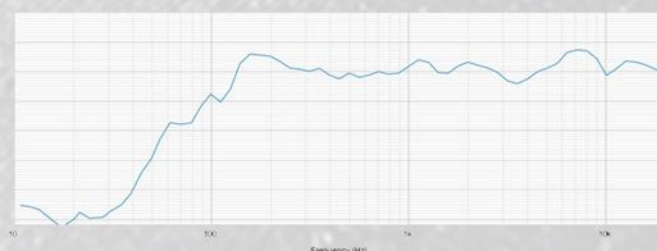
Specification:

Rated Power (AES)	140w
Rated Impedance:	8Ω
SPL (1w1m)	103dB
SPL max:	125dB
Frequency response:	125Hz - 20KHz
Component:	4 x 4" MF ferrite cast woofer & 1 x 1" Compression HF
IP rating:	IP20
Enclosure:	15mm Birch ply
Finish:	Black, White or *Custom colour
Flying points:	35mm Dual Tilt Top hat 0° & 5°, 2 x M10 Flying points
	Powerdrive 65
Connector:	2x Neutrik Speakons
Weight:	8.5kg

Recommended Settings & Accessory

Crossover settings:	80Hz LR 24dB Full Range 150Hz B'worth 12dB with SC208
Correction EQ:	330Hz, -2.5dB, 2.5Q 1.2kHz, -2dB, 5Q 3.8kHz, -1dB, 2Q
Amplifier:	250w RMS
Recommend Sub:	SC208 Active
Poles:	35mm speaker stand

Frequency Response



* Custom paint colours may incur extra cost and increase build time.
 ** Binding Post, 4 Pole euro block connector available may increase build time.
 Feet are not supplied on all cabins that have locations on them
 Specification can be changed by APT-GB with out prior notice.
 Apt-GB is trading as part of the GGPM LTD Group.