

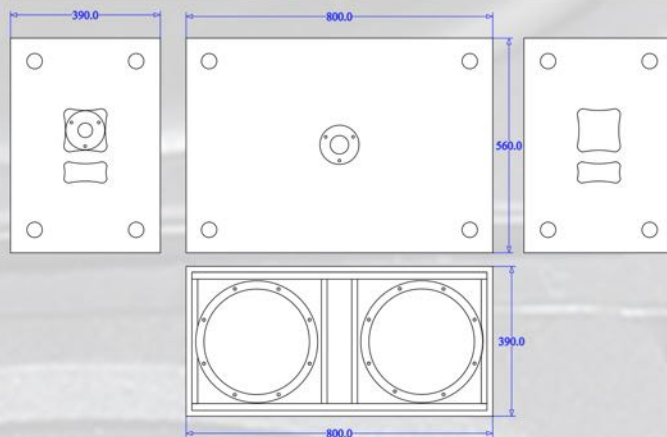
Apt-SC212 Specification Sheet.

Image



Dimensions

Dimensions (HWD): 385, 800, 560mm



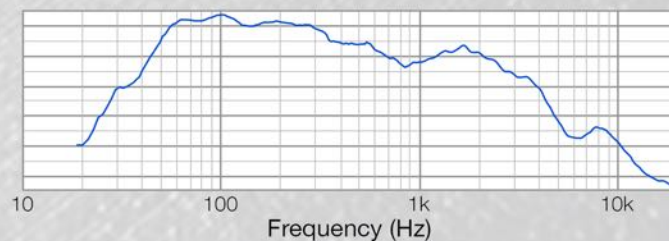
Specification:

Rated Power (AES)	1400w
Rated impedance:	4Ω
SPL (1w1m)	98dB
SPL max:	129dB
Frequency response:	40Hz - 400Hz
Component:	2 x 12" (3" coil) Ferrite Cast Woofer
IP rating:	IP20
Enclosure:	15mm Birch ply
Finish:	Black, White or *Custom colour
Flying points:	35mm Top hat with M20 Thread
Optional:	16 x M8 For wheel mounting
Connector:	2 x Neutrik Speakon
Weight:	40Kg

Recommended Settings & Accessory

Crossover settings:	35Hz LR 24dB
	125Hz 24dB LR
With Top Pack	150Hz 24dB LR
Correction EQ:	+3dB 63Hz 15Q
Amplifier:	2200w RMS

Frequency Response



* Custom paint colours may incur extra cost and increase build time.
 ** Binding Post, 4 Pole euro block connector available may increase build time.
 Feet are not supplied on all cabins that have locations on them
 Specification can be changed by APT-GB with out prior notice.
 Apt-GB is trading as part of the GGPM LTD Group.